

MODEL : APB-0202

PRODUCT DESCRIPTION : 200W Power Bank

Specification

Version 0.4

August 1, 2012

APPROVED	CHECKED	PREPARED BY
Jack	Kenny	Albert

Amita Technologies Inc.

Highly Restricted – For Amita’s Customer Use Only

Modification History

Version Number	modification history	authors	comments
Version 0.1	April 24,2012	APD Development	NEW
Version 0.2	May 4,2012	APD Development	Add 110V/60Hz function
Version 0.3	July 16,2012	APD Development	OCP Specification changes
Version 0.4	August 1,2012	APD Development	Add Fuse function & AC Input

TABLE OF CONTANTS

1. Features
2. Specification
3. User Interface
4. Block Diagram
5. Mechanical Drawing
6. Warning

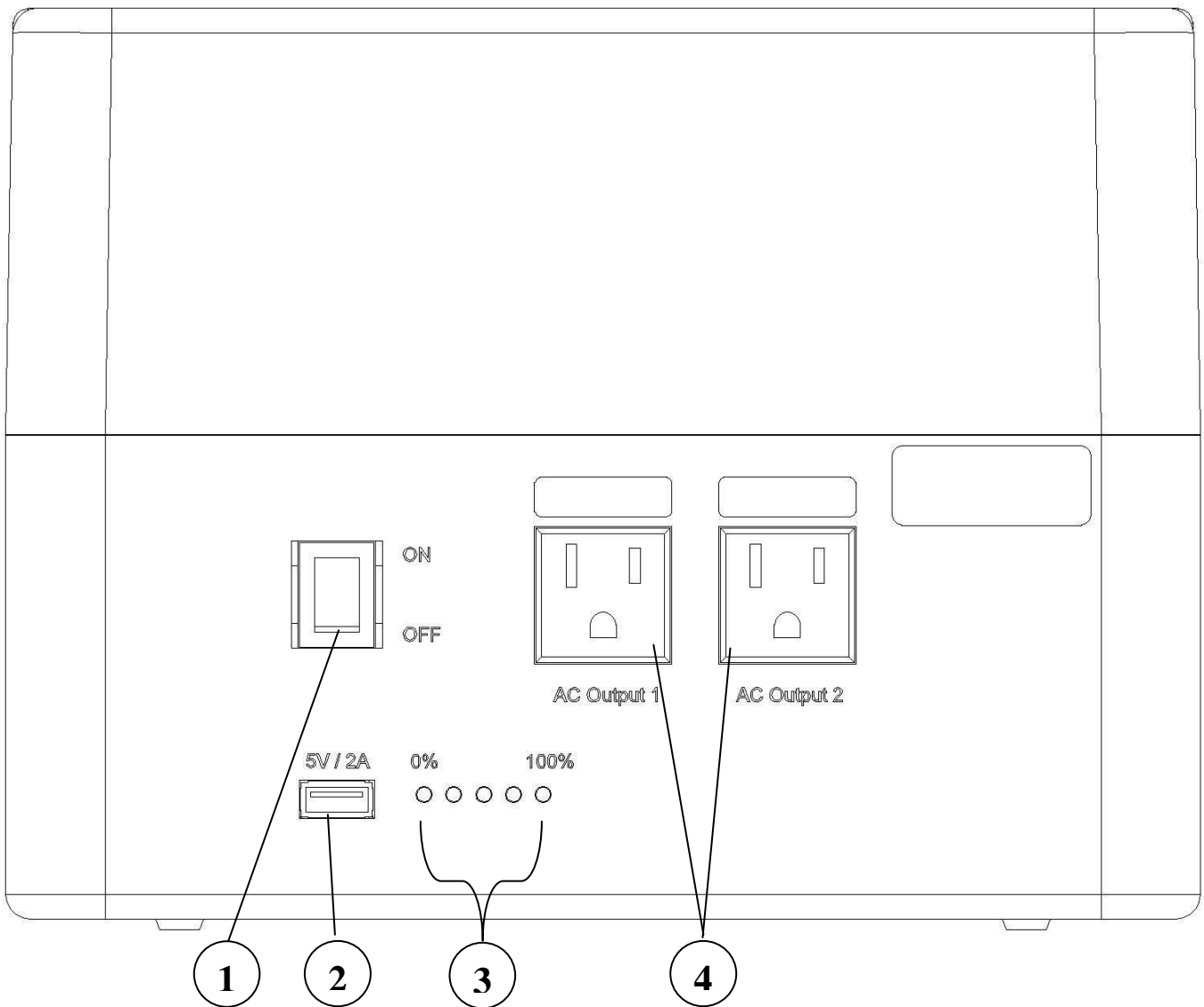
1. Features

- ◆ **Modified sine wave output.**
- ◆ **2 times high surge power (200VA) for motor related application.**
- ◆ **High efficiency up to 85%.**
- ◆ **Protections: Battery low alarm / Battery low shutdown / Over temp./ Output short / Over load**
- ◆ **Application :**
 1. **No containing motors, desktop computer, electric tools.**
 2. **Apply to the use of TV, VCR, notebook, fax machines ... and other machines.**

2. Specification

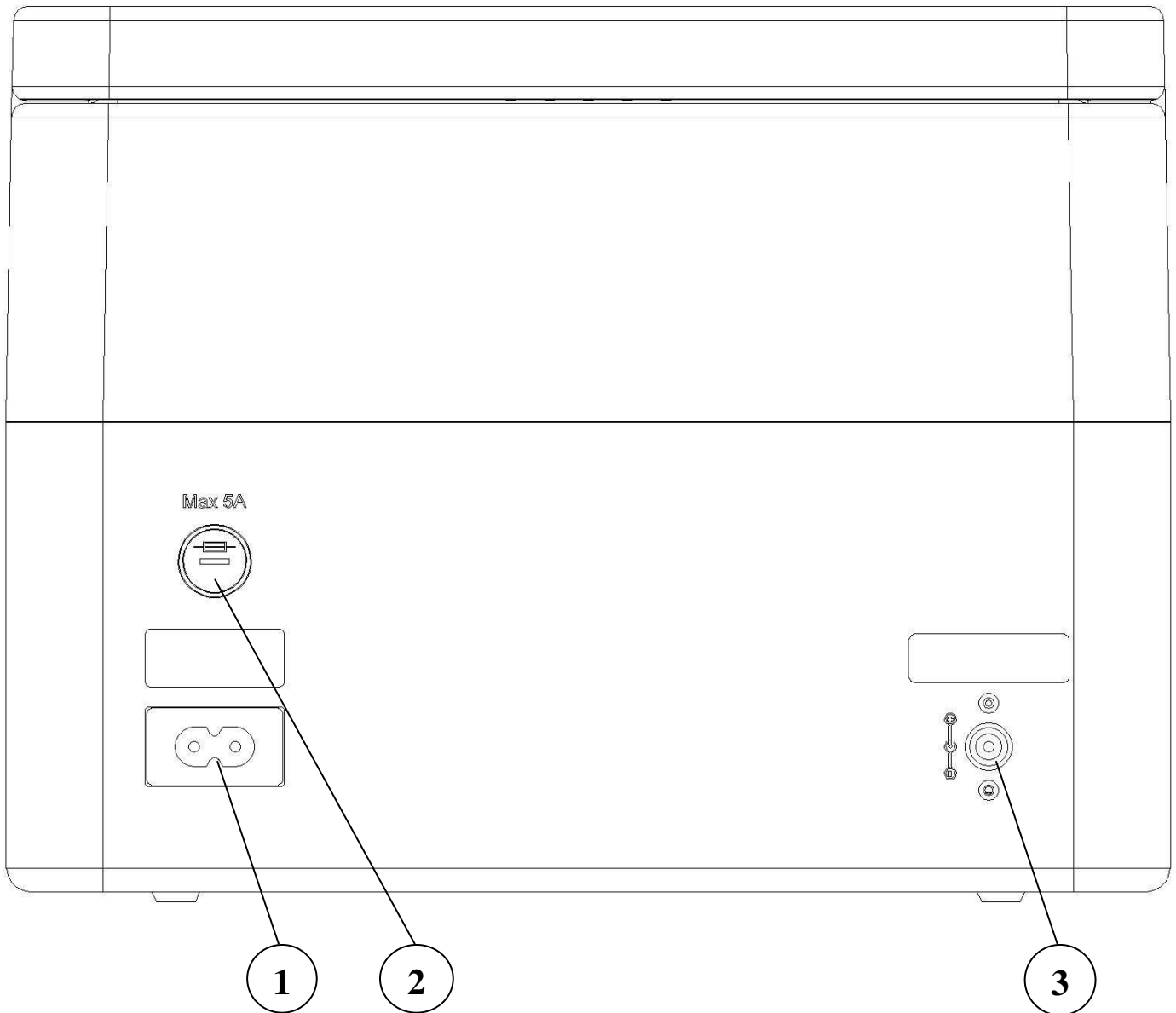
AC INPUT Mode	Input to output bypass	Max 5A
Inverter output Mode :		
OUTPUT	RATED POWER	200VA
	MAXIMUM OUTPUT POWER	300VA (90Sec) 350VA (200mSec)
	AC VOLTAGE	100V/55Hz or 110V/60Hz
	AC REGULATION	±10%
	EFFICIENCY	85%,Efficiency is tested by 200VA, 26V Battery voltage
PROTECTION	BAT. LOW ALARM	23V±5%
	BAT. LOW SHUTDOWN	21V± 5%
	OVER TEMPERATURE	85°C (Dual-temperature detection)
	OUTPUT SHORT	Shut down output voltage, Inverter re-power on to recover
Charging time		About 6 hours charging time
Operating Temperature		0~40°C
USB Port		
	OUTPUT VOLTAGE	5V± 5%
	OUT PUT CURRENT	2.1A Max
	AUTO USB ID	Auto detect and charge for Apple devices and BC compliant devices (Support the USB-IF Battery Charging 1.2 provisions & APPLE device)
	PROTECTION	Output short & Over temperature

3. User Interface :



Front Panel

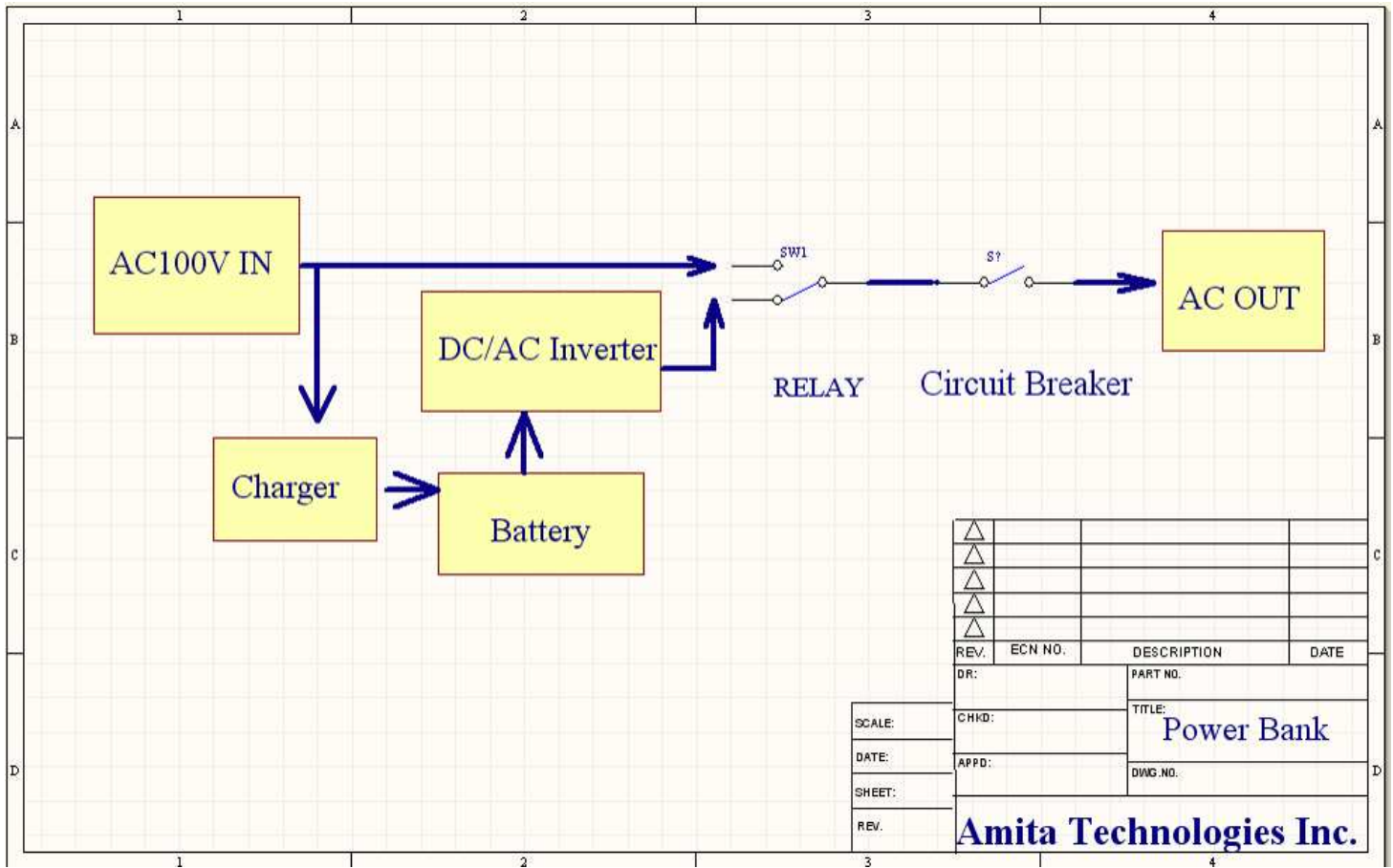
1. ON/OFF switch ◦
2. USB Port ◦
3. LED Indicator on Front Panel ◦
4. AC Output Outlet ◦



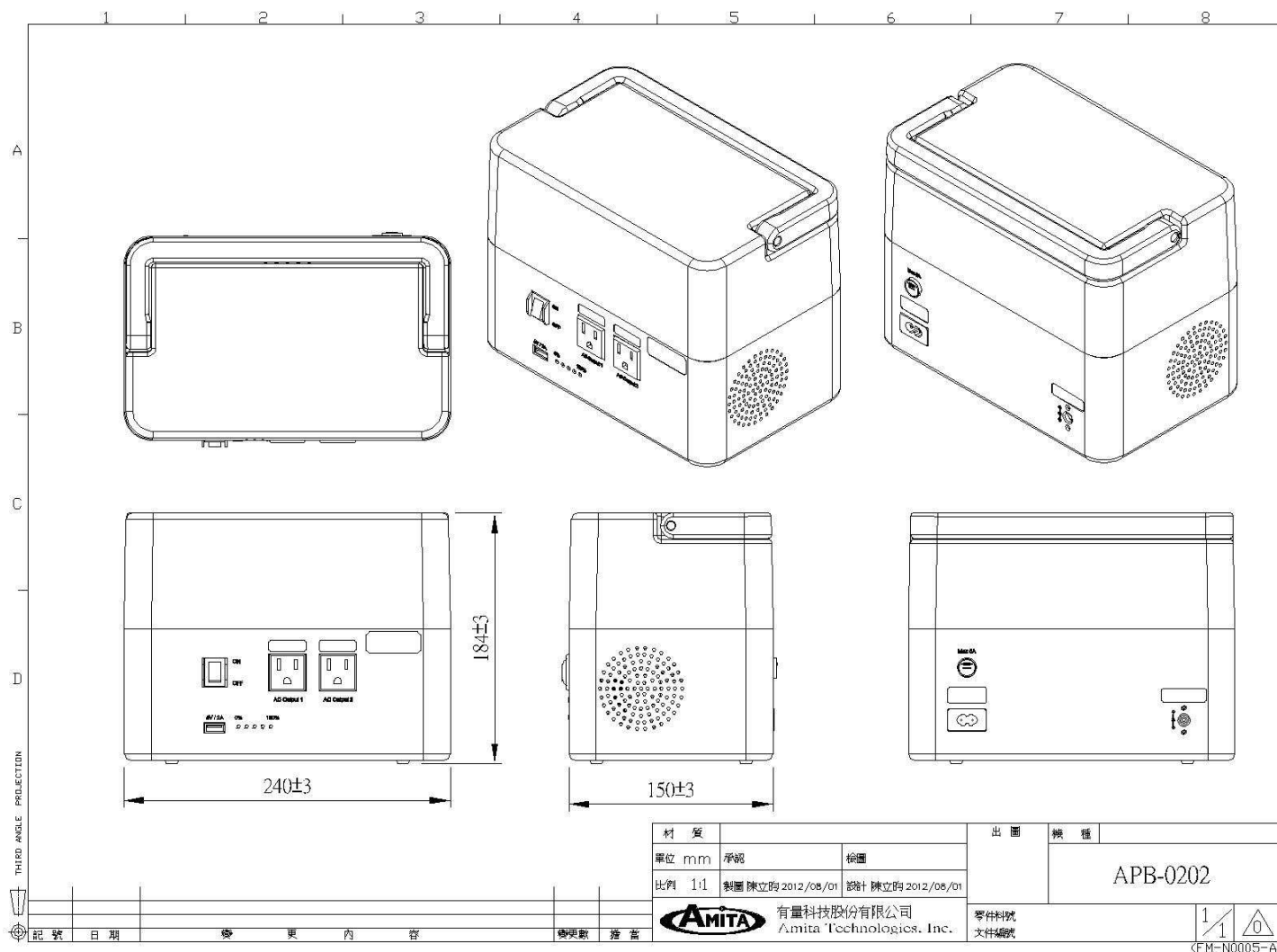
Rear Panel

- 1. AC Input ◦
- 2. Fuse ◦
- 3. DC Input ◦

4. Block diagram :



5. Mechanical Drawing



6.Warning

- 6.1 Do not crush, puncture, short external contacts, or dispose of in fire or water ◦
- 6.2 Do not attempt to open, disassemble, or service the battery ◦
- 6.3 Do not expose to temperature above 60°C ◦
- 6.4 Recycle or dispose properly and keep away from children ◦
- 6.5 See owner's manual for safety instructions ◦
- 6.6 Charge the battery after discharging ◦